

# How to open your roller garage door manually.

## SilentDrive Essential | SilentDrive Elite



**To prevent possible SERIOUS INJURY or DEATH from a falling garage door:**

- Disable ALL locks and remove any ropes before operating the manual release.
- If possible, use the manual release to disengage the door ONLY when the garage door is CLOSED. Weak or broken springs or unbalanced door could result in an open door falling rapidly and/or unexpectedly.
- NEVER use the manual release unless garage doorway is clear of persons and obstructions.

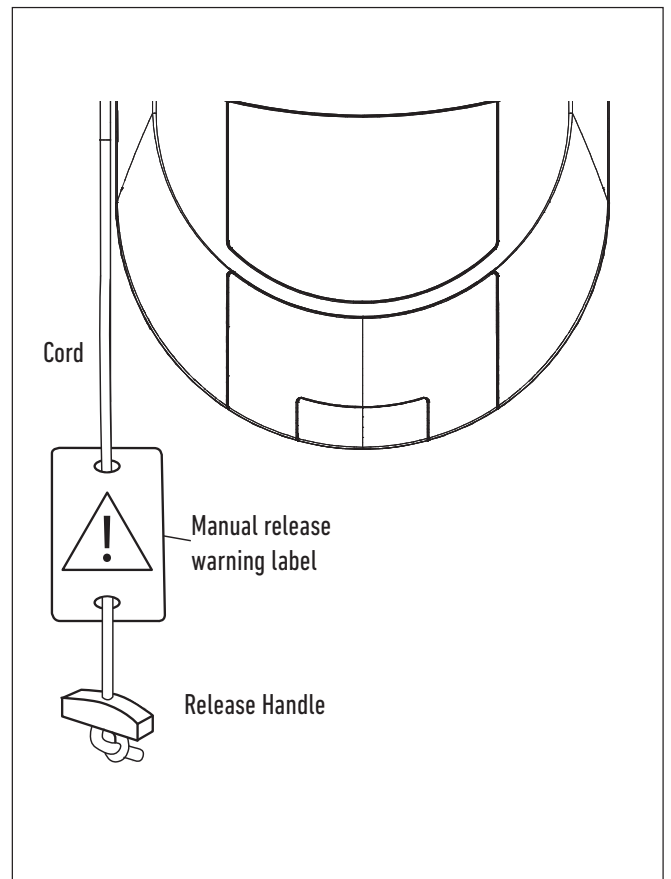
The manual release mechanism enables the door to be manually operated during power outages or in an emergency.

The RED manual release cord is preassembled to the opener. When the opener is installed the handle should be no higher than 1.8 metres from the floor. The cord may need to be extended.

### TO OPERATE THE MANUAL RELEASE:

The door should be fully closed if possible.

- 1. Disengage:** Pull the manual release cord down firmly once, (the opener will make a clicking noise). The door should then be able to be opened manually.
- 2. Re-engage:** Pull the manual release cord down firmly once, (the opener will make a clicking noise). The door will now be reconnected to the door opener.



#### Older compatible models:

430R, M430R, MR60, MR600, MR800, MR1000, MR650, MR850, MRC950, QuietDrive (MR650EVO), SilentDrive (MR850EVO), OverDrive (MRC950EVO), WeatherDrive (MR550EVO), SilentDrive Pro (MR855EVO), QuietDrive Pro (MR655EVO)

#### Contact:

**Australia:** gomerlin.com.au • 1800 638 234  
**New Zealand:** gomerlin.co.nz • 0800 653 667