



Merlin[®]
Powering Garage Doors

MJ3800

Re-order code: MJ3800



DOOR TYPES: residential sectional doors **DOOR SIZE:** doors up to 16.5m²

Key Benefits

Compliant to Australian and New Zealand Standard AS/NZS 60335-2-95 

Soft Start/Stop Function

The MJ3800 is equipped with Soft Start/Stop technology, designed to ensure smooth and quiet door operation.

Accessories Included

This opener features two hand-held mini transmitters deluxe wall control, IR Beams, solenoid lock, wireless wall button and battery backup.

Auto-close

Automatically closes door after a pre-determined delay time. Requires installation of IR Beams – supplied.

Additional safety feature

To ensure the highest level of safety possible the MJ3800 is supplied with a cable tension monitor which prevents the opener operating if the door's safety cable has insufficient tension.

Electric locking

For additional peace of mind this opener is supplied with a solenoid lock which automatically locks the door when it is closed and releases on activation.

5 Year Warranty

Backed by a full 2 year / 5,000 cycle unit warranty and a 5 year / 10,000 cycle motor warranty** we stand behind our products with an after sales support team that we believe are the best in the industry.

COMPLIANT TO AUSTRALIAN AND NEW ZEALAND STANDARDS

Standard Merlin Safety Features

Premium Automatic Safety Reverse

With its automatic safety function your garage door will stop and reverse automatically if obstructed going down or stop if obstructed going up.

Automatic Force Sensing

Equipped with automatic force sensing, with each operation the garage door opener monitors and adjusts the force needed to open your garage door.

Manual Release

In case of power failure you can simply activate the manual release to open your garage door.

*when compared to other available products ** conditions apply



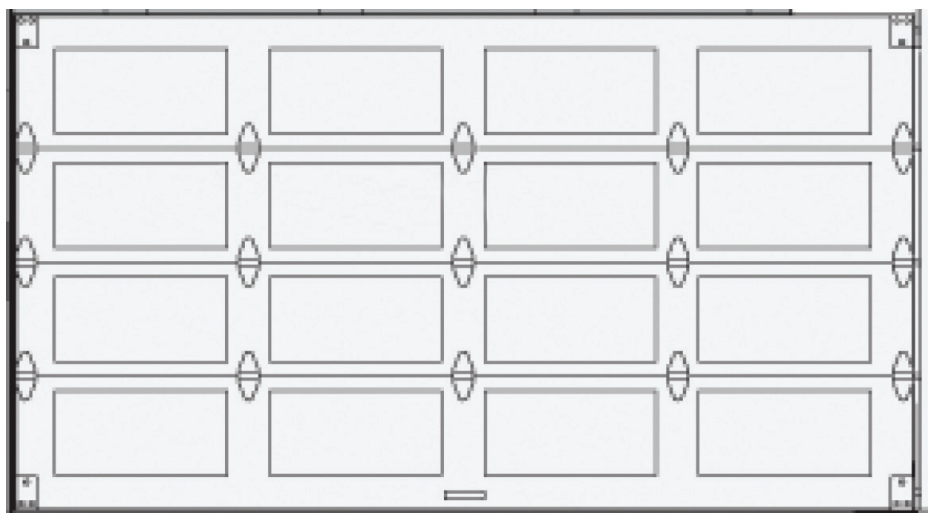
Kit Contents



SPECIFICATIONS

- 24V DC motor with thermal overload protection
- Input voltage: 230/240V AC
- Rated door area up to 16.5m²
- Max door weight: up to 130kg
- Max peak pulling force: 600 N
- 433.92 MHz AM radio with Chamberlain Peak DetectTM rolling code technology
- Up to 64 memory registers

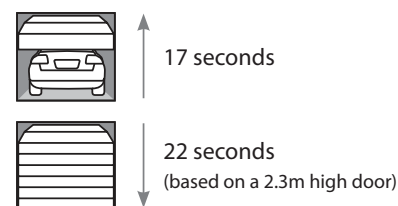
MJ3800



SPECIFICATIONS

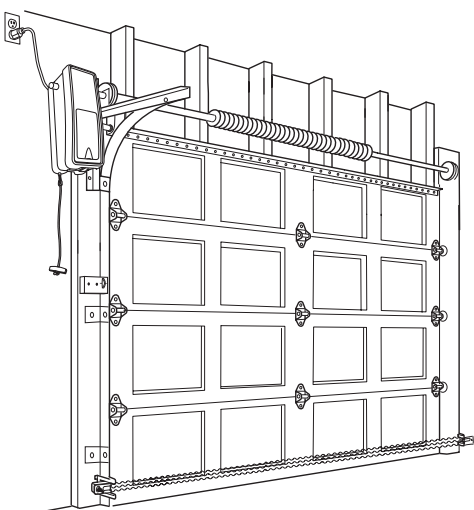
- Maximum lifting under spring tension = 20 Kgs
- Suitable for steel and timber spring balanced doors
- Maximum lifting height 4.2m

DOOR OPENING AND CLOSING TIMES



Max Door Height: 3.0m, 3.5m, 4.2m, Max Door Width: 5.5m, 4.7m, 3.9m,
Total Door Area: up to 16.5m²

TYPICAL INSTALLATION - SECTIONAL DOOR



Opener Installation Dimensions	
Centre of torsion bar to front wall clearance	64mm
Centre of torsion bar to ceiling clearance	76mm
End of torsion bar to side wall clearance	200mm
Clearance below centre of torsion bar	400mm

OPTIONAL ACCESSORIES



Premium+ four channel transmitter E960M



Wall or visor mounted three channel transmitter C943



Wall or visor mounted single channel transmitter C940



Wireless keypad C840

CHAMBERLAIN[®]

The World's Largest Manufacturer of Garage Door Openers

Australia Phone: 1800 638 234 Fax: 1800 888 121 Web: gomerlin.com.au

New Zealand Phone: 0800 653 667 Fax: 0800 653 663 Web: gomerlin.co.nz

™ Trademark of The Chamberlain Group, Inc. ® Registered Trademark of the Chamberlain Group, Inc.
© 2017 The Chamberlain Group, Inc.

